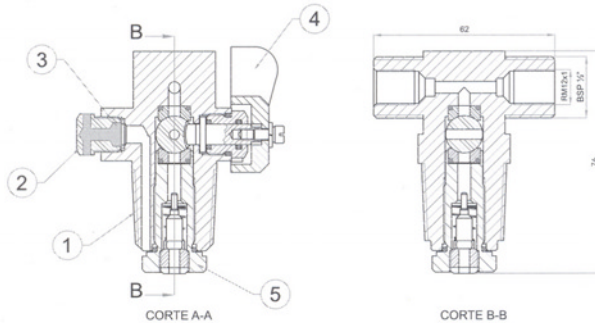


CNG cylinder valve

- Manual shut off valve according to ISO 15500
- Brass made
- Twin internal lateral outlet M12x1
- Twin external lateral outlet 1/2" BSP
- Max. working pressure: 200 bar (20 Mpa)
- Working temperature range: -40°C/ +85°C
- Burst disc test pressure: 300 bar + 10%
- Fuse plug independent from burst disc: 110 ±10 °C
- Flow excess valve
- Other versions on request

MODEL VERSIONS	VALVE STEM THREAD (CNG cylinder connection)
Argentina standards	3/4 BSPT-14, conicity 1:8 (IRAM 2539 TIPO II - 25 mm)
Brazil standards	3/4" 14-NGT, conicity 1:16
Pakistan standards	1" BS 341
Other parallel or tapered threads	On request



1. Vástago de la válvula 2. Tapón fusible 3. Disco de estallido
4. Manija de apertura-cierre 5. Válvula de exceso de flujo

1. Corpo da válvula 2. Tampão do fusível 3. Disco
4. Borboleta de abertura e fechamento
5. Válvula de excesso de fluxo

1. Valve stem 2. Fuse plug 3. Burst disc
4. Opening-closing handle 5. Flow excess valve



BUREAU
VERITAS



PRODUCTOS HOMOLOGADOS · PRODUTOS HOMOLOGADOS
PRODUCT APPROVAL CERTIFICATIONS

