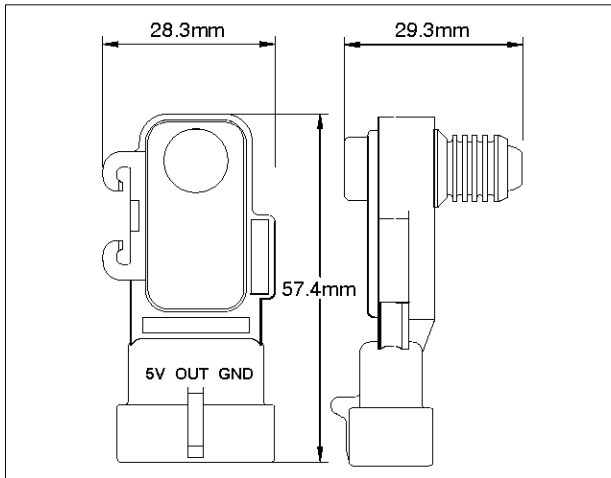


MAP Sensor - 1 Bar

Performance Specifications

Pressure Range	
Operating	20 to 102 kPa
Maximum	300 kPa
Full Scale Accuracy	1.7%

Temperature Range	
Operating	-40°C to +105°C
Storage	-50°C to +150°C



Electrical Characteristics	
Supply Voltage	5.0 ± 0.1 V dc
Supply Current	<10 mA dc
Maximum Output Current	Sink 1 mA dc Source 0.1 mA dc
Output Impedance	<50 ohms
Output Voltage	0.25 to 4.85 V dc

